

MULTILOCK
AL2300/AL3000/AL4000

AW2500/AW4000/AW5000/AW7000/AW332/AW335

MIG/MAG ML
Rohrbogen

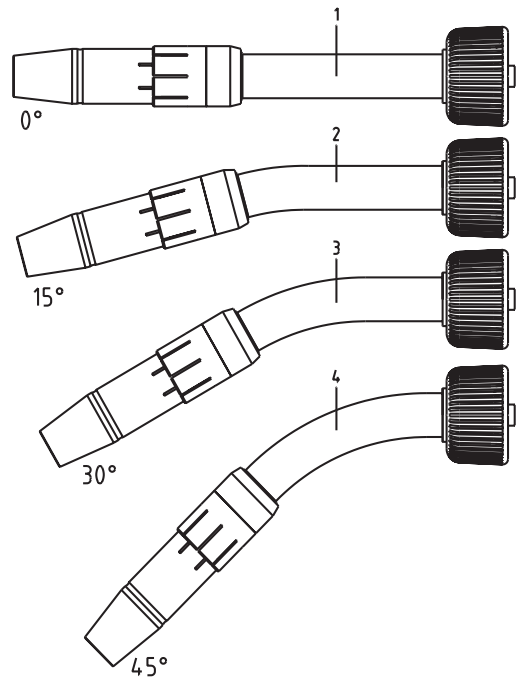
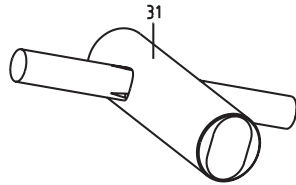
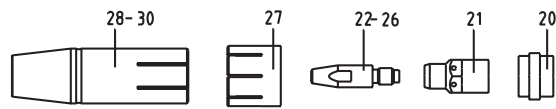
**ERSATZTEIL-
LISTE**

MIG/MAG ML
Torch body

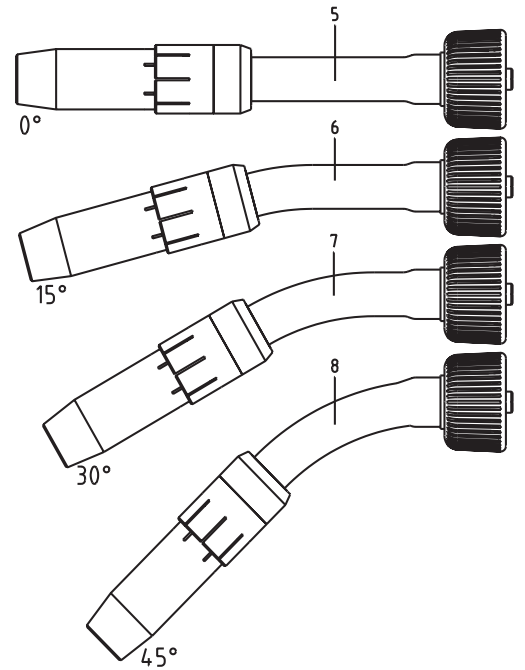
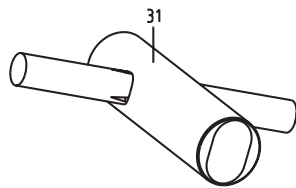
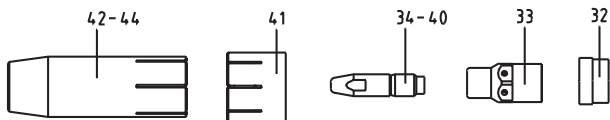
**LIST OF
SPARE PARTS**

MIG/MAG ML
Corps de Torche

**LISTE DE PIECES
DE RECHANGE**



AW 2500 ML / AL 2300 ML



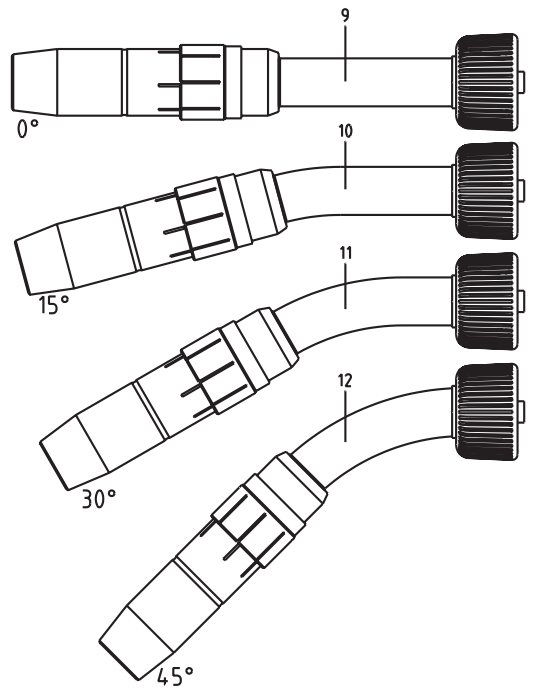
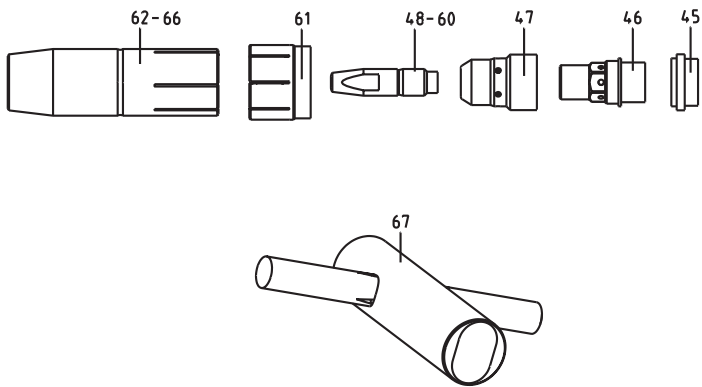
AW 4000 ML / AL 3000 ML



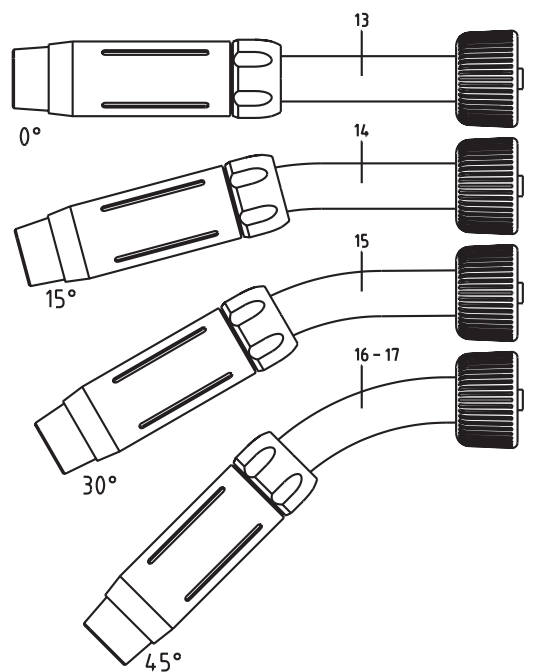
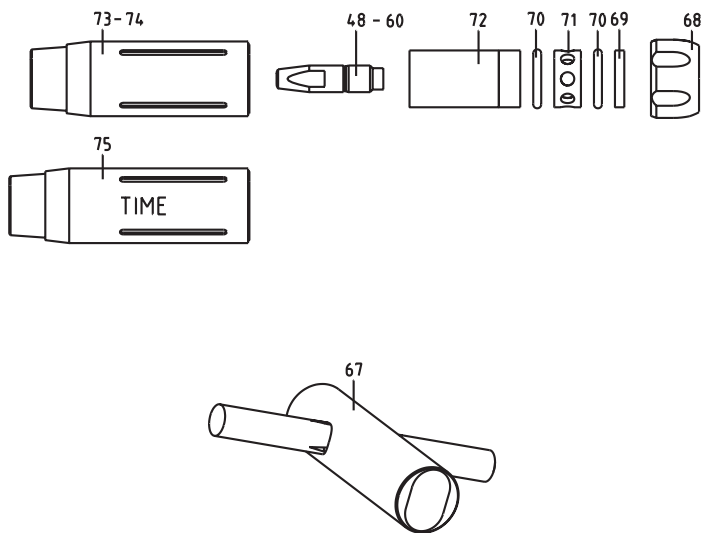
MULTILOCK AL2300/AL3000/AL4000/AW2500/AW4000/AW5000/AW7000/AW332/AW335

Ersatzteilliste / Spare parts list / Listes de pièces de rechange / Lista de repuestos / Lista de peças sobresselentes / Lista dei Ricambi

1/5



AW 5000 ML / AL 4000 ML



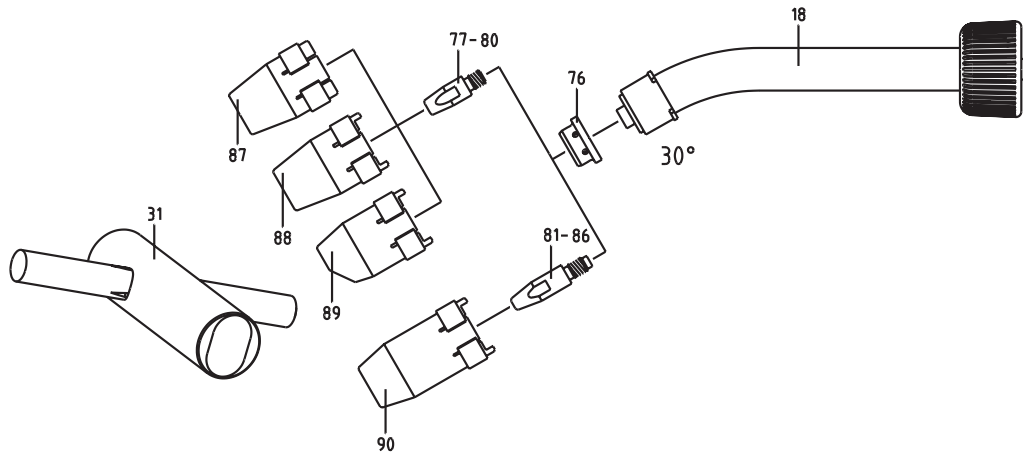
AW 7000 ML



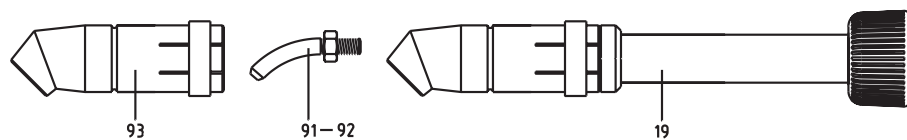
MULTILOCK AL2300/AL3000/AL4000/AW2500/AW4000/AW5000/AW7000/AW332/AW335

Ersatzteilliste / Spare parts list / Listes de pièces de rechange / Lista de repuestos / Lista de peças sobresselentes / Lista dei Ricambi

2 / 5



AW 332



AW 335



MULTILOCK AL2300/AL3000/AL4000/AW2500/AW4000/AW5000/AW7000/AW332/AW335

Ersatzteilliste / Spare parts list / Listes de pièces de rechange / Lista de repuestos / Lista de peças sobresselentes / Lista dei Ricambi

3 / 5

POS.	BENENNUNG	ARTICLE	DENOMINATION	
1	ROHRBOGENSET AW 2500/AL 2300 ML 0°	TORCH-BODY-SET AW2500/AL2300ML 0°	SET C. DE TORCHE AW2500/AL2300ML 0°	34,0350,1848
2	ROHRBOGENSET AW 2500/AL 2300 ML15°	TORCH-BODY-SET AW2500/AL2300ML15°	SET C. DE TORCHE AW2500/AL2300ML15°	34,0350,1849
3	ROHRBOGENSET AW 2500/AL 2300 ML30°	TORCH-BODY-SET AW2500/AL2300ML30°	SET C. DE TORCHE AW2500/AL2300ML30°	34,0350,1850
4	ROHRBOGENSET AW 2500/AL 2300 ML45°	TORCH-BODY-SET AW2500/AL2300ML45°	SET C. DE TORCHE AW2500/AL2300ML45°	34,0350,1851
5	ROHRBOGENSET AW 4000/AL 3000 ML 0°	TORCH-BODY-SET AW4000/AL3000ML 0°	SET C. DE TORCHE AW4000/AL3000ML 0°	34,0350,1852
6	ROHRBOGENSET AW 4000/AL 3000 ML15°	TORCH-BODY-SET AW4000/AL3000ML15°	SET C. DE TORCHE AW4000/AL3000ML15°	34,0350,1853
7	ROHRBOGENSET AW 4000/AL 3000 ML30°	TORCH-BODY-SET AW4000/AL3000ML30°	SET C. DE TORCHE AW4000/AL3000ML30°	34,0350,1854
8	ROHRBOGENSET AW 4000/AL 3000 ML45°	TORCH-BODY-SET AW4000/AL3000ML45°	SET C. DE TORCHE AW4000/AL3000ML45°	34,0350,1855
9	ROHRBOGENSET AW 5000/AL 4000 ML 0°	TORCH-BODY-SET AW5000/AL4000ML 0°	SET C. DE TORCHE AW5000/AL4000ML 0°	34,0350,1856
10	ROHRBOGENSET AW 5000/AL 4000 ML15°	TORCH-BODY-SET AW5000/AL4000ML15°	SET C. DE TORCHE AW5000/AL4000ML15°	34,0350,1857
11	ROHRBOGENSET AW 5000/AL 4000 ML30°	TORCH-BODY-SET AW5000/AL4000ML30°	SET C. DE TORCHE AW5000/AL4000ML30°	34,0350,1858
12	ROHRBOGENSET AW 5000/AL 4000 ML45°	TORCH-BODY-SET AW5000/AL4000ML45°	SET C. DE TORCHE AW5000/AL4000ML45°	34,0350,1859
13	ROHRBOGENSET AW 7000 ML 0°	TORCH-BODY-SET AW 7000 ML 0°	SET CORPS DE TORCHE AW 7000 ML 0°	34,0350,1860
14	ROHRBOGENSET AW 7000 ML 15°	TORCH-BODY-SET AW 7000 ML 15°	SET CORPS DE TORCHE AW 7000 ML 15°	34,0350,1861
15	ROHRBOGENSET AW 7000 ML 30°	TORCH-BODY-SET AW 7000 ML 30°	SET CORPS DE TORCHE AW 7000 ML 30°	34,0350,1862
16	ROHRBOGENSET AW 7000 ML 45°	TORCH-BODY-SET AW 7000 ML 45°	SET CORPS DE TORCHE AW 7000 ML 45°	34,0350,1863
17	ROHRBOGENSET AW 7000 TIME ML 45°	TORCH-BODY-SET AW7000 TIME ML 45°	SET CORPS DE T. AW 7000 TIME ML 45°	34,0350,1871
18	ROHRBOGENSET 332 MULTILOCK 30°	TORCH-BODY-SET 332 MULTILOCK 30°	SET CORPS DE TORCHE 332 ML 30°	44,0350,0871
19	ROHRBOGENSET 335 MULTILOCK	TORCH-BODY-SET 335 MULTILOCK	SET CORPS DE TORCHE 335 ML	34,0350,1864
20	ISOLIERRING D=17x13	INSULATING RING D=17X13	JOINT ISOLANT D=17x13	42,0100,0225
21	DÜSENSTOCK SW12x24	NOZZLE STOCK 12x24	DIFFUSEUR 12x24	42,0001,1718
22	KONTAKTROHR 0.6 D= 8x33 M6	CONTACT TUBE 0,6 8x33 M6	TUBE CONTACT 0,6 8x33 M6	42,0001,0052
23	KONTAKTROHR 0.8 D= 8x33 M6	CONTACT TUBE 0.8 8x33 M6	TUBE CONTACT 0,8 8x33 M6	42,0001,0053
24	KONTAKTROHR 0.9 D= 8x33 M6	CONTACT TUBE 0.9 8x33 M6	TUBE CONTACT 0,9 8x33 M6	42,0001,3276
25	KONTAKTROHR 1.0 D= 8x33 M6 X)	CONTACT TUBE 1,0 8x33 M6 X)	TUBE CONTACT 1,0 8x33 M6 X)	42,0001,0054
26	KONTAKTROHR 1.2 D= 8x33 M6	CONTACT TUBE 1,0 8x33 M6	TUBE CONTACT 1,2 8x33 M6	42,0001,0055
27	FIXIERHÜLSE	FIXING SLEEVE	ECROU FIXATION	42,0001,5171
28	GASDÜSE ZYL STB ISO 17/20x66	GAS NOZZLE CYL. PLUG. 17/20x66	BUSE GAZ CYL. ENFICH. 17/20x66	42,0001,5172
29	GASDÜSE KON STB ISO 12/20x66 F X)	GAS NOZZLE CON. PLUG. 12/20x66 X)	BUSE GAZ CON. ENFICH. 12/20x66 X)	42,0001,5173
30	GASDÜSE EKO STB ISO 10/20x66 F	GAS NOZZLE EX. CON. PLUG. 10/20x66	BUSE GAZ EX. CON. ENFICH.	42,0001,5174
31	KONTAKTROHRSCHLÜSSEL SW7	CONTACT TUBE FORK KEY SW7	CLEF DE MONTAGE	42,0410,0570
32	ISOLIERRING 16.9/14x11 AW4000	INSULATION RING	JOINT ISOLANT	42,0100,1010
33	DÜSENSTOCK M8 AW4000	NOZZLE STOCK M8	DIFFUSEUR M8	42,0001,5084
34	KONTAKTROHR 0.8 M8x35	CONTACT TIP 0.8 M8X35	TUBE CONTACT 0.8 M8X35	42,0001,2911
35	KONTAKTROHR 0.9 M8x35	CONTACT TIP 0.9 M8X35	TUBE CONTACT 0.9 M8X35	42,0001,3082
36	KONTAKTROHR 1.0 M8x35 X)	CONTACT TIP 1.0 M8X35 X)	TUBE CONTACT 1.0 M8X35 X)	42,0001,2912
37	KONTAKTROHR 1.2 M8x35	CONTACT TIP 1.2 M8X35	TUBE CONTACT 1.2 M8X35	42,0001,2913
38	KONTAKTROHR 1.0 M8X35 ZB D4.0	CONTACT TIP 1.0 M8X35 ZB D4.0	TUBE CONTACT 1.0 M8X35 ZB D4.0	42,0001,5051
39	KONTAKTROHR 1.2 M8X35 ZB D4.0	CONTACT TIP 1.2 M8X35 ZB D4.0	TUBE CONTACT 1.2 M8X35 ZB D4.0	42,0001,5052
40	KONTAKTROHR 1.4 M8X35 ZB D4.0	CONTACT TIP 1.4 M8X35 ZB.D4.0	TUBE CONTACT 1.4 M8X35 ZB.D4.0	42,0001,5053
41	FIXIERHÜLSE	FIXING SLEEVE	ECROU FIXATION	42,0001,2930
42	GASDÜSE KON D22/D15,2x67v X)	GAS NOZZLE CON. D22/D15,2x67 X)	BUSE GAZ CON. D22/D15,2x67 X)	42,0001,5269
43	GASDÜSE KON D22/D13x67	GAS NOZZLE CON. D22/D13x67	BUSE GAZ CON. D22/D13x67	42,0001,5096
44	GASDÜSE E.-KON D22/D11x67	GAS NOZZLE E.-CON. D22/D11x67	BUSE GAZ E.-CON. D22/D11x67	42,0001,5151
45	ISOLIERRING AW5000	INSULATION RING	JOINT ISOLANT	42,0100,1016
46	DÜSENSTOCK M10x1.25	NOZZLE STOCK M10x1.25	DIFFUSEUR M10x1.25	42,0001,5122
47	SPRITZERSCHUTZ	SPATTER GUARD	PROJEC.ANTI PROTECTION	42,0100,1007
48	KONTAKTROHR 0,8 10x40 M10x1,25	CONTACT TUBE 0,8 10x40 M10x1,25	TUBE CONTACT 0,8 10x40 M10x1,25	42,0001,1576
49	KONTAKTROHR 0,9 10x40 M10x1,25	CONTACT TUBE 0,9 10x40 M10x1,25	TUBE CONTACT 0,9 10x40 M10x1,25	42,0001,3277
50	KONTAKTROHR 1,0 10x40 M10x1,25	CONTACT TUBE 1,0 10x40 M10x1,25	TUBE CONTACT 1,0 10x40 M10x1,25	42,0001,1577
51	KONTAKTROHR 1,2 10x40 M10x1,25 X)	CONTACT TUBE 1,2 10x40 M10x1,25 X)	TUBE CONTACT 1,2 10x40 M10x1,25 X)	42,0001,1578
52	KONTAKTROHR 1,4 10x40 M10x1,25	CONTACT TUBE 1,4 10x40 M10x1,25	TUBE CONTACT 1,4 10x40 M10x1,25	42,0001,1930
53	KONTAKTROHR 1,6 10x40 M10x1,25	CONTACT TUBE 1,6 10x40 M10x1,25	TUBE CONTACT 1,6 10x40 M10x1,25	42,0001,1579
54	KONTAKTROHR 1,8 10x40 M10x1,25	CONTACT TUBE 1,8 10x40 M10x1,25	TUBE CONTACT 1,8 10x40 M10x1,25	42,0001,2314
55	KONTAKTROHR 2,0 10x40 M10x1,25	CONTACT TUBE 2,0 10x40 M10x1,25	TUBE CONTACT 2,0 10x40 M10x1,25	42,0001,1662
56	KONTAKTROHR 1,0 M10x1,25 M.ZB D4.1	CONTACTTUBE 1,0 M10x1,25 ZB.D4.1	TUBE CONTACT 1,0 M10x1,25 ZB.D4.1	42,0001,5057
57	KONTAKTROHR 1,2 M10x1,25 M.ZB D4.1	CONTACT TUBE 1,2 M10x1,25 ZB.D4.1	TUBE CONTACT 1,2 M10x1,25 ZB.D4.1	42,0001,5058
58	KONTAKTROHR 1,4 M10x1,25 M.ZB D4.1	CONTACT TUBE 1,4 M10x1,25 ZB.D4.1	TUBE CONTACT 1,4 M10x1,25 ZB.D4.1	42,0001,5059
59	KONTAKTROHR 1,6 M10x1,25 M.ZB D4.8	CONTACT TUBE 1,6 M10x1,25 ZB.D4.8	TUBE CONTACT 1,6 M10x1,25 ZB.D4.8	42,0001,5060
60	KONTAKTROHR 1,8 M10x1,25 M.ZB D4.8	CONTACT TUBE 1,8 M10x1,25 ZB.D4.8	TUBE CONTACT 1,8 M10x1,25 ZB.D4.8	42,0001,5061
61	FIXIERHÜLSE M24x1.5	FIXING SLEEVE	ECROU FIXATION	42,0001,2970
62	GASDÜSE ZYL STB 20x79	GAS NOZZLE CYL.PLUGABLE 20x79	BUSE GAZ CYL. 20x79	42,0001,5127
63	GASDÜSE KON. STB 17x79 X)	GAS NOZZLE CON. PLUGABLE 17x79 X)	BUSE GAZ CON. 17x79 X)	42,0001,5128
64	GASDÜSE KON-M STB 17x79	GAS NOZZLE MASSIV-CON.17x79	BUSE GAZ CON-M 17x79	42,0001,5130
65	GASDÜSE EXTRA-KON. STB 15x79	GAS NOZZLE EXTRA-CON.PLUG 15x79	BUSE GAZ EX.-CON. 15x79	42,0001,5129



MULTILOCK AL2300/AL3000/AL4000/AW2500/AW4000/AW5000/AW7000/AW332/AW335

Ersatzteilliste / Spare parts list / Listes de pièces de rechange / Lista de repuestos / Lista de peças sobresselentes / Lista dei Ricambi

POS.	BENENNUNG	ARTICLE	DENOMINATION	
66	GASDÜSE KON-M STB 17x85 TIME	GAS NOZZLE MASSIV-CON.17x85 TIME	BUSE GAZ CON-M 17x85 TIME	42,0001,5155
67	KONTAKTROHR SCHLÜSSEL SW8	CONTACT TUBE FORK KEY SW8	CLEF DE MONTAGE	42,0410,0138
68	ÜBERWURFMUTTER M18x1,5 RA	CAP NUT M18X1,5 ROBACTA	ECROU FIXATION M18X1,5 RA	42,0400,1003
69	ZWISCHENRING AW652-ZI-ZM	CONNECTION RING	JOINT DE CONNECTEUR	42,0100,0128
70	DICHTUNG RUND ID=15x3 NBR 70	SEALING ROUND 15X3 NBR70	RONDELLE DE JOINT	42,0300,0016
71	LOCHRING ROBACTA 700/TIME	HOLE RING ROBACTA 700/TIME	JOINT TROU RA700/TIME	42,0100,0417
72	ISOLIERHÜLSE ROBACTA 700/TIME	PROTECTION SLEEVE RA700/TIME	DOUILLE ISOLANTE RA700/TIME	42,0100,0418
73	GASDÜSE KON. L 82 X)	GAS NOZZLE CON. L 82 X)	BUSE GAZ CON. L 82 X)	44,0350,1698
74	GASDÜSE KON. L 75	GAS NOZZLE CON. L 75	BUSE GAZ CON. L 75	44,0350,1749
75	GASDÜSE KON. L 90 T.I.M.E.	GAS NOZZLE CON. L 90 T.I.M.E.	BUSE GAZ CON. L 90 T.I.M.E.	44,0350,1699
76	SPRITZERSCHUTZ KPL. AW332-Z	PROTECTION AGAINST SPATTER	PROTECTION CONTRE PROJECTION	42,0100,0174
77	KONTAKTROHR 0,8 D=8x24 M6 SOND	CONTACT TUBE 0,8 D=8x24 M6	TUBE CONTACT 0,8 8x24 M6	42,0001,1373
78	KONTAKTROHR 1,0 D=8x24 M6 SOND X)	CONTACT TUBE 1,0 D=8x24 M6 X)	TUBE CONTACT 1,0 D=8x24 M6 X)	42,0001,1391
79	KONTAKTROHR 1,2 D=8x24 M6 SOND	CONTACT TUBE 1,2 D=8x24 M6	TUBE CONTACT 1,2 D=8x24 M6	42,0001,1392
80	KONTAKTROHR 1,6 D=8x24 M6 SOND	CONTACT TUBE 1,6 D=8x24 M6	TUBE CONTACT 1,6 D=8x24 M6	42,0001,1393
81	KONTAKTROHR 0,8 D=8x33 M6	CONTACT TUBE 0,8 D=8x33 M6	TUBE CONTACT 0,8 8x33 M6	42,0001,0053
82	KONTAKTROHR 0,9 D=8x33 M6	CONTACT TUBE 0,9 D=8x33 M6	TUBE CONTACT 0,9 8x33 M6	42,0001,3276
83	KONTAKTROHR 1,0 D=8x33 M6	CONTACT TUBE 1,0 D=8x33 M6	TUBE CONTACT 1,0 8x33 M6	42,0001,0054
84	KONTAKTROHR 1,2 D=8x33 M6	CONTACT TUBE 1,2 D=8x33 M6	TUBE CONTACT 1,2 8x33 M6	42,0001,0055
85	KONTAKTROHR 1,4 D=8x33 M6	CONTACT TUBE 1,4 D=8x33 M6	TUBE CONTACT 1,4 8x33 M6	42,0001,1929
86	KONTAKTROHR 1,6 D=8x33 M6	CONTACT TUBE 1,6 D=8x33 M6	TUBE CONTACT 1,6 8x33 M6	42,0001,0056
87	GASDÜSE KON STB. MF 15x36 SOND. X)	GAS NOZZLE CONICAL PLUGABLE X)	BUSE GAZ CONIQUE X)	44,0350,0660
88	GASDÜSE KON. 15x39 M.VERR.AW332	GAS NOZZLE CONICAL	BUSE GAZ CONIQUE	44,0350,0851
89	GASDÜSE KON. STB.MF 15x45 AW 332	GAS NOZZLE CON. PLUGABLE W.SPR.	BUSE GAZ CONIQUE	44,0350,0658
90	GASDÜSE KON. STB MF 15x48 SOND.	GAS NOZZLE CON. PLUGABLE W.SPR.	BUSE GAZ CONIQUE	44,0350,0659
91	KONTAKTROHR 1,4 M6 F.DR. 0,8&1,0 X)	CONTACT TUBE 1,4 M6 F.WIRE 0,8&1,0X)	TUBE CONTACT 1,4 M6 X)	44,0350,0773
92	KONTAKTROHR 1,6 M6 F.DRAHT 1,2	CONTACT TUBE 1,6 M6 F.WIRE. 1,2	TUBE CONTACT 1,6 M6	44,0350,0721
93	GASDÜSE 45° ISOLIERT	GAS NOZZLE INSULATED	BUSE GAS CERAMIQUE	44,0350,0718

X)	STANDARD AUSRÜSTUNG	STANDARD EQUIPMENT	OUTILLAGE STANDARD	X)
XX)	BITTE LÄNGE ANGEBEN	PLEASE INDICATE LENGTH	INDIQUEZ LA LONGUEUR, SVP	XX)



Fronius Worldwide - www.fronius.com/addresses

- A** **FRONIUS International GmbH**
4600 Wels, Buxbaumstraße 2
Tel: +43 (0)7242 241-0
Fax: +43 (0)7242 241-3940
E-Mail: sales@fronius.com
<http://www.fronius.com>
- 4600 Wels, Buxbaumstraße 2
Tel: +43 (0)7242 241-0
Fax: +43 (0)7242 241-3490
Service: DW 3070, 3400
Ersatzteile: DW 3390
E-Mail: sales.austria@fronius.com
- 6020 Innsbruck, Amraserstraße 56
Tel: +43 (0)512 343275-0
Fax: +43 (0)512 343275-275
- 5020 Salzburg, Lieferinger Hauptstr. 128
Tel: +43 (0)662 430763
Fax: +43 (0)662 430763-16
- 2345 Brunn am Gebirge, Campus 21,
Europaring F11 101
Tel: +43 (0)7242 241-0
Fax: +43 (0)7242 241-3490
- 1100 Wien, Favoritner Gewerbering 25
Tel: +43 (0)7242 241-0
Fax: +43 (0)7242 241-3490
- Wilhelm Zultner & Co.**
8042 Graz, Schmiedlstraße 7
Tel: +43 (0)316 6095-0
Fax: +43 (0)316 6095-80
Service: DW 325, Ersatzteile: DW 335
E-Mail: vkm@zultner.at
- Wilhelm Zultner & Co.**
9020 Klagenfurt, Fallegasse 3
Tel: +43 (0)463 382121-0
Fax: +43 (0)463 382121-40
Service: DW 430, Ersatzteile: DW 431
E-Mail: vkk@zultner.at
- Gebr. Ulmer GmbH & Co.**
6850 Dornbirn, Rathausplatz 4
Tel: +43 (0)5572 307-0
Fax: +43 (0)5572 307-399
Service: DW 369, Ersatzteile: DW 369
- BR** **FRONIUS do Brasil**
Av. Senador Vergueiro, 3260
Vila Tereza, Sao Bernado do Campo - SP
CEP 09600-000, SÃO PAULO
Tel: +55 (0)11 4368-3355
Fax: +55 (0)11 4177-3660
E-Mail: sales.brazil@fronius.com
- CH** **FRONIUS Schweiz AG**
8153 Rümlang, Obergatterstraße 11
Tel: +41 (0)1817 9944
Fax: +41 (0)1817 9955
E-Mail: sales.switzerland@fronius.com
- CZ** **FRONIUS Česká republika s.r.o.**
381 01 ČESKÝ KRUMLOV, Tovární 370
Tel: +420 380 705 111
Fax: +420 380 711 284
E-Mail: sales.c.krumlov@fronius.com
- 100 00 PRAHA 10, V Olšínách 1022/42
Tel: +420 272 111 011, 272 742 369
Fax: +420 272 738 145
E-Mail: sales.praha@fronius.com
- 315 00 PLZEŇ-Božkov, Letkovská 38
Tel: +420 377 183 411
Fax: +420 377 183 419
E-Mail: sales.plzen@fronius.com
- CZ** 500 04 HRADEC KRÁLOVÉ,
Pražská 293/12
Tel.: +420 495 070 011
Fax: +420 495 070 019
E-Mail: sales.h.kralove@fronius.com
- 586 01 JIHLAVA, Bměnská 65
Tel: +420 567 584 911
Fax: +420 567 305 978
E-Mail: sales.jihlava@fronius.com
- 709 00 OSTRAVA - Mariánské Hory,
Kollárova 3
Tel: +420 595 693 811
Fax: +420 596 617 223
E-Mail: sales.ostrava@fronius.com
- 760 01 ZLÍN, Mladcovská ul. - areál
teplárny
Tel: +420 724 355 905
E-Mail: malik.pavel@fronius.com
- D** **FRONIUS Deutschland GmbH**
67661 Kaiserslautern, Liebigstraße 15
Tel: +49 (0)631 35127-0
Fax: +49 (0)631 35127-50
E-Mail: sales.germany@fronius.com
- 90530 Wendelstein,
Wilhelm-Maisel-Straße 32
Tel: +49 (0)9129 2855-0
Fax: +49 (0)9129 2855-32
- 51149 Köln, Gremberghoven,
Welslerstraße 10 b
Tel: +49 (0)2203 97701-0
Fax: +49 (0)2203 97701-10
- 57052 Siegen, Alcher Straße 51
Tel: +49 (0)271 37515-0
Fax: +49 (0)271 37515-15
- 38640 Goslar, Im Schleeke 108
Tel: +49 (0)5321 3413-0
Fax: +49 (0)5321 3413-31
- 10365 Berlin, Josef-Orlopp-Str. 92-106
Tel: +49 (0)30 557745-0
Fax: +49 (0)30 557745-51
- 21493 Talkau, Dorfstraße 4
Tel: +49 (0)4156 8120-0
Fax: +49 (0)4156 8120-20
- 70771 Leinfelden-Echterdingen
(Stuttgart),
Kolumbus-Straße 47
Tel: +49 (0)711 782852-0
Fax: +49 (0)711 782852-10
- 04328 Leipzig, Riesaer Straße 72-74
Tel: +49 (0)341 27117-0
Fax: +49 (0)341 27117-10
- 01723 Kesselsdorf (Dresden),
Zum alten Dessauer 13
Tel: +49 (0)35204 7899-0
Fax: +49 (0)35204 7899-10
- 67753 Hefersweiler, Sonnenstraße 2
Tel: +49 (0)6363 993070
Fax: +49 (0)6363 993072
- 18059 Rostock, Erich Schlesinger Str. 50
Tel: +49 (0)381 4445802
Fax: +49 (0)381 4445803
- 81379 München, Gmundner Straße 37a
Tel: +49 (0)89 748476-0
Fax: +49 (0)89 748476-10
- 83308 Trostberg, Pechleraustraße 7
Tel: +49 (0)8621 8065-0
Fax: +49 (0)8621 8065-10
- 34431 Hengersberg, Donaustraße 31
Tel: +49 (0)9901 2008-0
Fax: +49 (0)9901 2008-10
- F** **FRONIUS France SARL**
60306 SENLIS CEDEX,
13 avenue Félix Louat - B.P.195
Tél: +33 (0)3 44 63 80 00
Fax: +33 (0)3 44 63 80 01
E-Mail: sales.france@fronius.com
- N** **FRONIUS Norge AS**
3056 Solbergelva, P.O. BOX 32
Tel: +47 (0)32 232080,
Fax: +47 (0)32 232081
E-Mail: sales.norway@fronius.com
- SK** **FRONIUS Česká republika spol. s.r.o.**
organizačná zložka
917 01 Trnava, Nitrianská 5
Tel: +421 (0)33 590 7511
Fax: +421 (0)33 590 7599
E-Mail: sales.slovakia@fronius.com
- 974 03 Banská Bystrica,
Zvolenská cesta 14
Tel: +421 (0)48 472 0611
Fax: +421 (0)48 472 0699
E-Mail: sales.b.bystrica@fronius.com
- UA** **FRONIUS Fackel GmbH**
07455 Ukraine, Kiewskaya OBL...,
S. Knjashitschi, Browarskogo R-NA
Tel: +38 (0)44 94-62768
+38 (0)44 94-54170
Fax: +38 (0)44 94-62767
+38 (0)44 94-60600
E-Mail: sales.ukraine@fronius.com
- USA** **FRONIUS USA LLC**
10503 Citation Drive,
Brighton, Michigan 48116
Tel: +1(0) 810 220-4414
Fax: +1(0) 810 220-4424
E-Mail: sales.usa@fronius.com

Under <http://www.fronius.com/addresses> you will find all addresses of our sales branches and partner firms!