

TTG 1600A-WKZ

TTG 2200A-TCS

TTG 1600P-WKZ

TTG 2200P-TCS

D Ersatzteilliste
WIG-Handschweißbrenner

GB Spare Parts List
TIG Manual welding torch

F Liste de pièces de rechange
chalumeau manuelle TIG










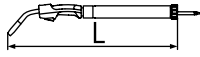

I Lista parti di ricambio
cannello di saldatura WIG

E Lista de repuestos
Soplete para soldadura manual
TIG

P Lista de peças sobresselentes
Queimador de soldadura MIG

4,035,818
 4,035,818,630
 4,035,819
 4,035,819,630
 4,035,831
 4,035,831,630

TTG2200A-TCS F/4m/13.1ft
 TTG2200P-TCS F/4m/13.1ft
 TTG 2200A-TCS F/8m/26.2ft
 TTG 2200P-TCS F/8m/26.2ft
 TTG1600A-WKZ F/4m/13.1ft
 TTG1600P-WKZ F/4m/13.1ft

	TTG2200-TCS	TTG1600-WKZ
X (10min/40°C) DC (DIN 32526)	15% / 220A 35% / 160A 60% / 120A 100% / 90A	15% / 160A 35% / 110A 60% / 90A 100% / 70A
X (10min/40°C) AC (DIN 32526)	35% / - 40% / - 60% / - 100% / -	15% / 120A 35% / 80A 60% / 60A 100% / 50A
T max 	-	-
Q min 	-	-
P min 	-	-
p max 	-	-
 Ø	1 - 4,0 mm .039-.158 in.	1 - 3,2 mm .039-.126 in.
Volt- Class	L	L
		
 Gas	Argon DIN32526/1	Argon DIN32526/1
	4m / 13,1 ft. 8m / 26,2 ft.	4m / 13,1 ft. -
	- Kg	- Kg



Wassergekühlt / Wassergekühlt / Wassergekühlt / Wassergekühlt / Wassergekühlt / Wassergekühlt



Gasgekühlt / Gasgekühlt / Gasgekühlt / Gasgekühlt / Gasgekühlt / Gasgekühlt

X Einschaltdauer / Einschaltdauer / Einschaltdauer / Einschaltdauer / Einschaltdauer / Einschaltdauer



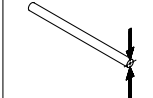
TTG 2200A-TCS, TTG 1600A- WKZ, TTG 1600P-WKZ

Ersatzteilliste / Spare parts list / Listes de pièces de rechange / Lista de repuestos / Lista de peças sobresselentes / Lista dei Ricambi

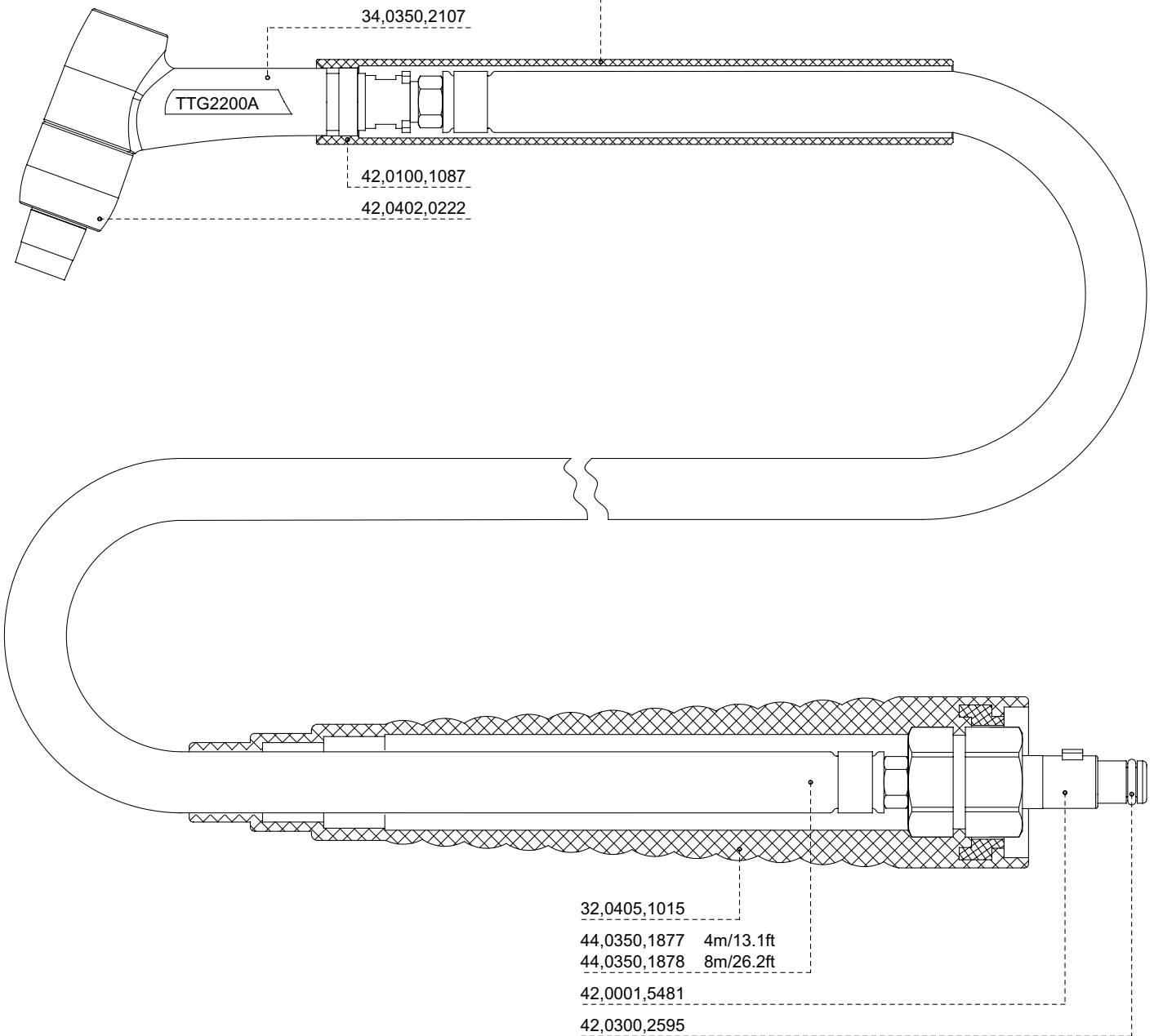
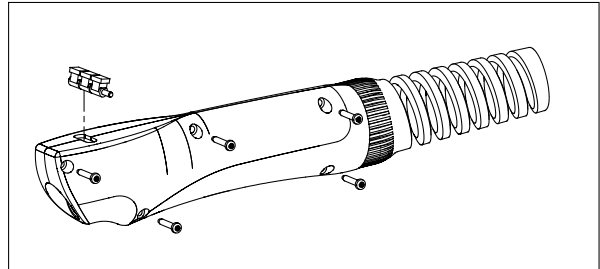
1/11

4204150236_01 012006

4,035,818 TTG2200A-TCS 4m
 4,035,819 TTG2200A-TCS 8m

	Ø mm	Ø inch
	1,0-4,0	.039-.157

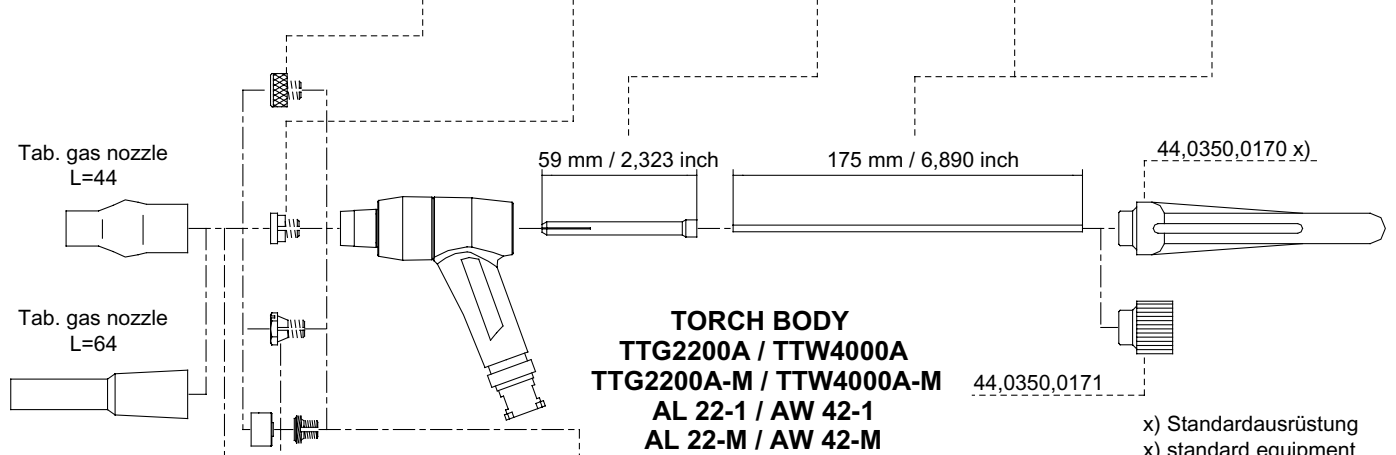
44,0350,2514 Option



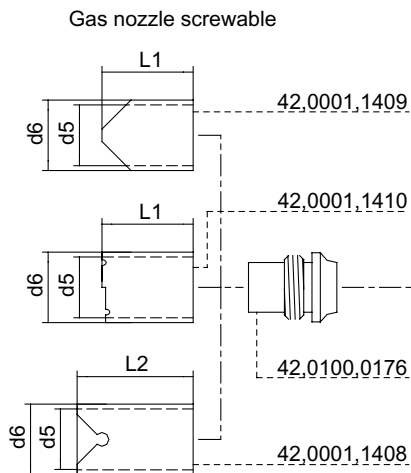
TTG 2200A-TCS, TTG 1600A-WKZ, TTG 1600P-WKZ

Ersatzteilliste / Spare parts list / Listes de pièces de rechange / Lista de repuestos / Lista de peças sobresselentes / Lista dei Ricambi

Electrode Ø		Part No. gas lens	Part No. clamping nut	Part No. collet	Part No. electrode WC20	Part No. electrode WP
Ø mm	Ø inch					
1,0	.039	44,0350,1500	42,0001,0692	42,0001,0697	42,0411,4012	
1,6	.063	44,0350,1501	42,0001,0693	42,0001,0698	42,0411,4001	42,0411,4008
2,4	.094	44,0350,1460	42,0001,0694 x)	42,0001,0699 x)	42,0411,4002 x)	42,0411,4005
3,2	.126	44,0350,1461	42,0001,0695	42,0001,0700	42,0411,4003	42,0411,4006
4,0	.157		42,0001,0696	42,0001,0701	42,0411,4013	42,0411,4007
4,8	.189				42,0411,4014	42,0411,4009



- x) Standardausrüstung
- x) standard equipment
- x) équipement standard
- x) equipamiento estándar
- x) accessori standard
- x) equipamento de série



gas nozzle ceramic plugable L=44	d1		d2		Part No.
	mm	inch	mm	inch	
	6,4	.252	21,0	.827	42,0300,0672
	7,9	.3125	21,0	.827	42,0300,0461
	9,5	.374	21,0	.827	42,0300,0462 x)
	11,1	.437	21,0	.827	42,0300,0463
	12,7	.500	21,0	.827	42,0300,0464
	14,3	.563	21,0	.827	42,0300,0465
	15,9	.626	21,0	.827	42,0300,0466
18,0	.709	23,0	.906	42,0300,0467	

gas nozzle ceramic plugable L=64	d3		d4		Part No.
	mm	inch	mm	inch	
	6,4	.252	17,5	.689	42,0300,1120
	7,9	.3125	17,5	.689	42,0300,1121
	9,5	.374	17,5	.689	42,0300,1122
	11,1	.437	17,5	.689	42,0300,1123

Measurement gas nozzle screwable							
d5		d6		L1		L2	
mm	inch	mm	inch	mm	inch	mm	inch
22	.866	25,5	1,004	33	1,299	42	1,654

TTG 2200 A-M AL 22-M		TTW 4000 A-M AW 42-M	
Electrode Ø		Part No. gas lens	Part No. clamping nut
Ø mm	Ø inch		
1,0	.039		42,0001,1667
1,6	.063		42,0001,1668
2,4	.094		42,0001,1669
3,2	.126		42,0001,1670
4,0	.157		42,0001,1671
4,8	.189		42,0001,1481
2,4	.094	44,0350,1462	42,0001,2741
3,2	.126	44,0350,1463	42,0001,2742



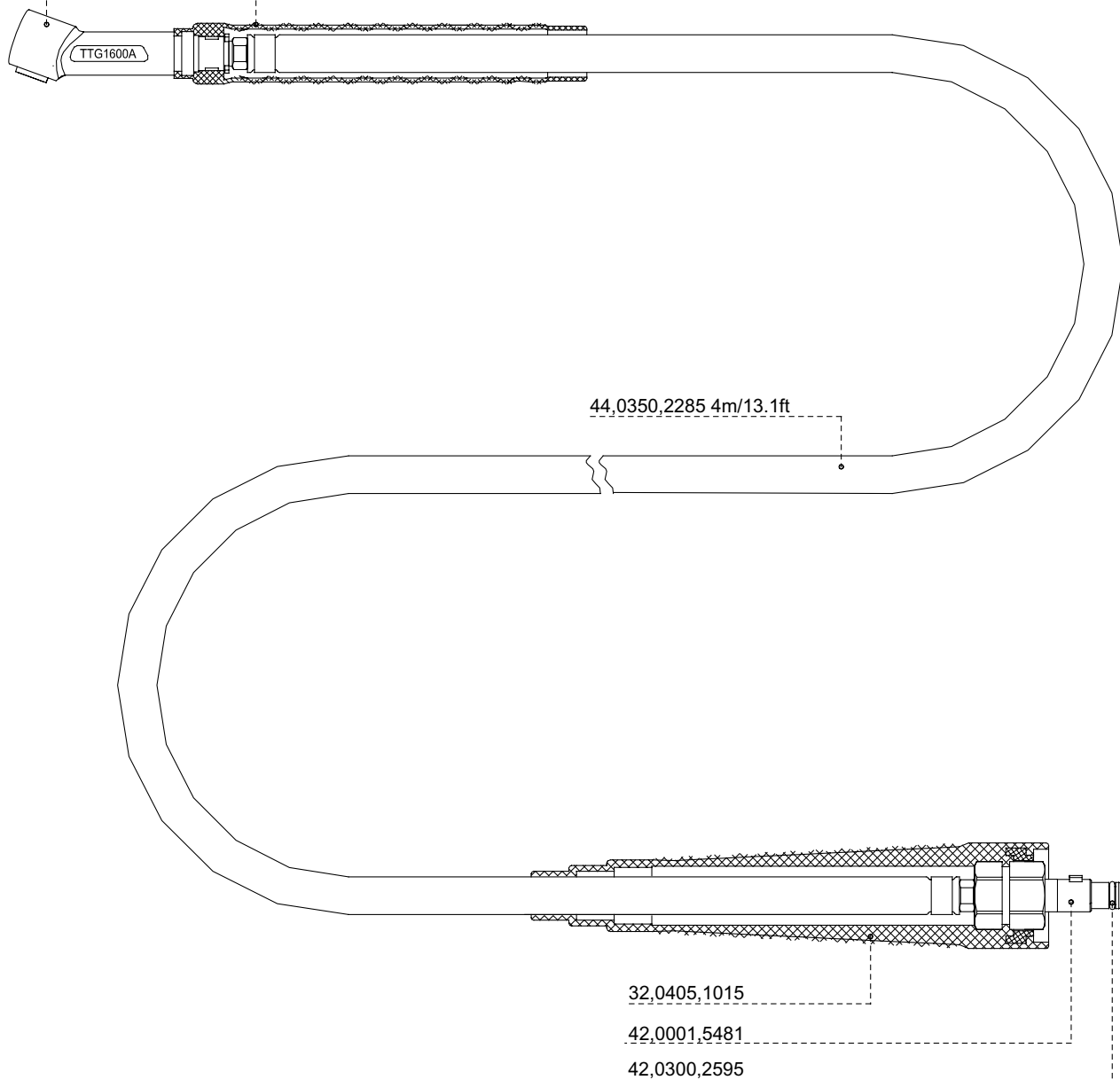
TTG 2200A-TCS, TTG 1600A-WKZ, TTG 1600P-WKZ

Ersatzteilliste / Spare parts list / Listes de pièces de rechange / Lista de repuestos / Lista de peças sobresselentes / Lista dei Ricambi

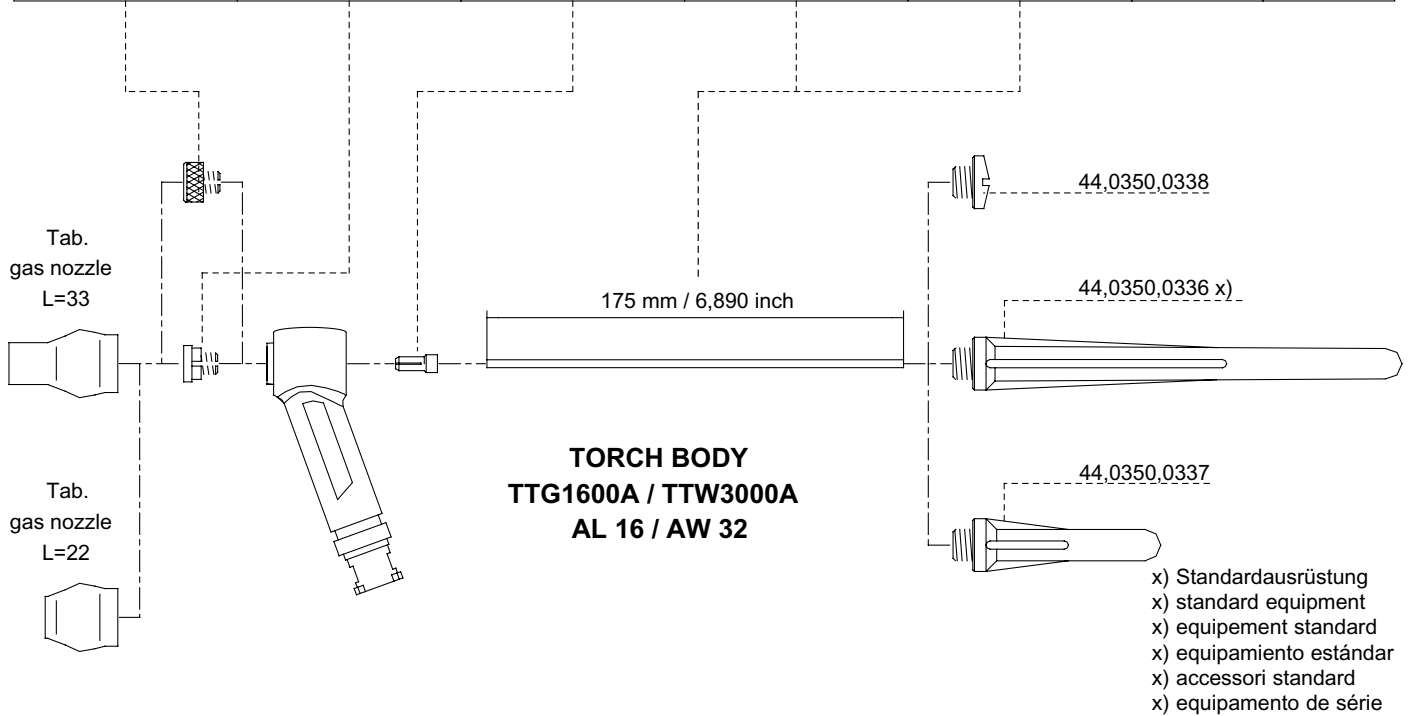
3/11

42,0402,0225

34,0350,2105



Part No. gas lens	Part No. clamping nut	Part No. collet	Part No. electrode WC20	Part No. electrode WP	Electrode \emptyset	
					\emptyset mm	\emptyset inch
44,0350,1500	42,0001,0692	42,0001,1148	42,0411,4012		1,0	.039
44,0350,1501	42,0001,0693	42,0001,1149	42,0411,4001	42,0411,4008	1,6	.063
44,0350,1460	42,0001,0694 x)	42,0001,1150 x)	42,0411,4002 x)	42,0411,4005	2,4	.094
44,0350,1461	42,0001,0695	42,0001,1151	42,0411,4003	42,0411,4006	3,2	.126



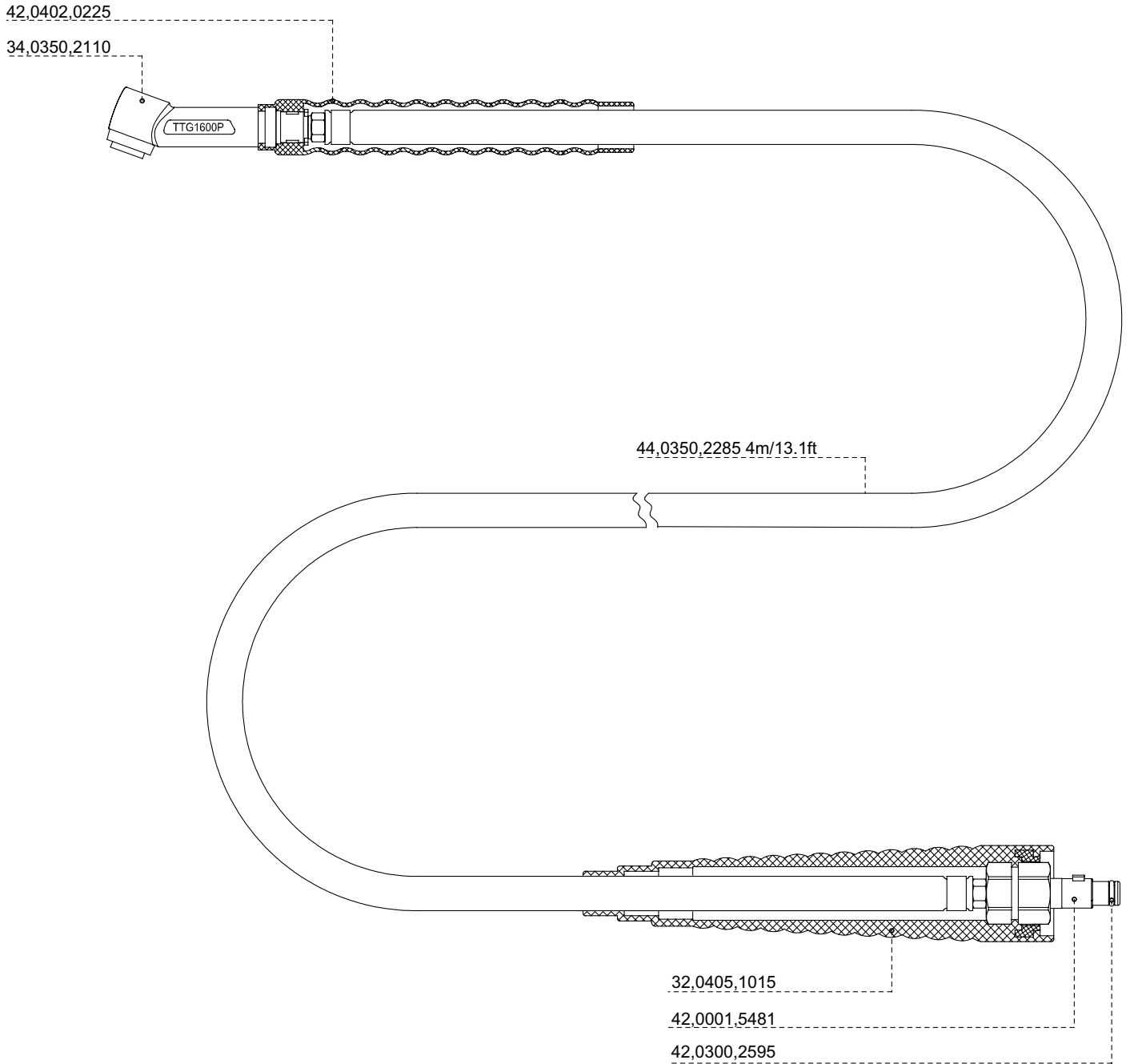
gas nozzle ceramic plugable L=33	Part No.	gas nozzle ceramic plugable L=22	Part No.	d1		d2	
				mm	inch	mm	inch
	42,0300,0820		42,0300,0816	6,4	.250	21,0	.827
	42,0300,0821		42,0300,0817	7,9	.3125	21,0	.827
	42,0300,0822 x)		42,0300,0818	9,5	.375	21,0	.827
	42,0300,0823		42,0300,0819	11,1	.4375	21,0	.827



TTG 2200A-TCS, TTG 1600A-WKZ, TTG 1600P-WKZ

Ersatzteilliste / Spare parts list / Listes de pièces de rechange / Lista de repuestos / Lista de peças sobresselentes / Lista dei Ricambi

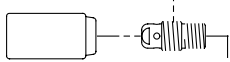
5/11



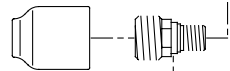
STANDARD

Part No. collet body	Part No. head shield	Part No. collet	Part No. electrode WC20	Part No. electrode WP	Electrode Ø	
					Ø mm	Ø inch
42,0001,2827	42,0100,0391 x)	42,0001,3000	42,0411,4012		1,0	.039
42,0001,0260		42,0001,2571	42,0411,4001	42,0411,4008	1,6	.063
42,0001,0261 x)		42,0001,2572 x)	42,0411,4002 x)	42,0411,4005	2,4	.094
42,0001,0262		42,0001,2573	42,0411,4003	42,0411,4006	3,2	.126

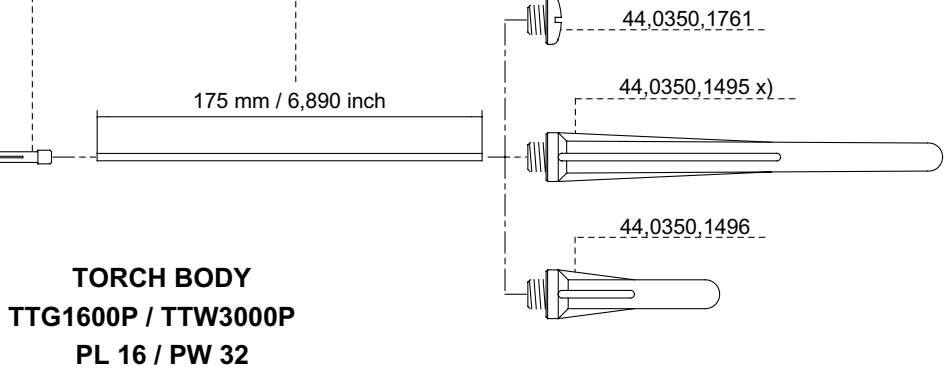
Tab. gas nozzle
3/8"-24UNF
L=29.4mm



Tab. gas nozzle
9/16"-18UNF
L=25.4mm



- x) Standardausrüstung
- x) standard equipment
- x) équipement standard
- x) equipamiento estándar
- x) accessori standard
- x) equipamento de série



STANDARD

gas nozzle ceramic screwable 3/8"-24UNF L=29.4mm/1.156inch	d1		d2		Part No.
	mm	inch	mm	inch	
	6,4	.250	14,3	.5625	42,0300,0105
	7,9	.3125	14,3	.5625	42,0300,0106
	9,5	.375	14,3	.5625	42,0300,0107 x)
	11,1	.4375	17,5	.6875	42,0300,0108
	12,7	.500	17,5	.6875	42,0300,0109
	15,9	.625	20,6	.8125	42,0300,0110

GAS LENS STANDARD

Electrode Ø		Part No. gas lens
Ø mm	Ø inch	
1,0	.039	42,0001,1343
1,6	.063	42,0001,1344
2,4	.094	42,0001,1345
3,2	.126	42,0001,1346

GAS LENS STANDARD

gas nozzle ceramic screwable 9/16"-18UNF L=25.4mm / 1.0inch	d3		d4		Part No.
	mm	inch	mm	inch	
	6,4	.250	20,6	.8125	42,0300,0982
	7,9	.3125	20,6	.8125	42,0300,0983
	9,5	.375	20,6	.8125	42,0300,0984
	11,1	.4375	20,6	.8125	42,0300,2007
	12,7	.500	19	.75	42,0300,2008



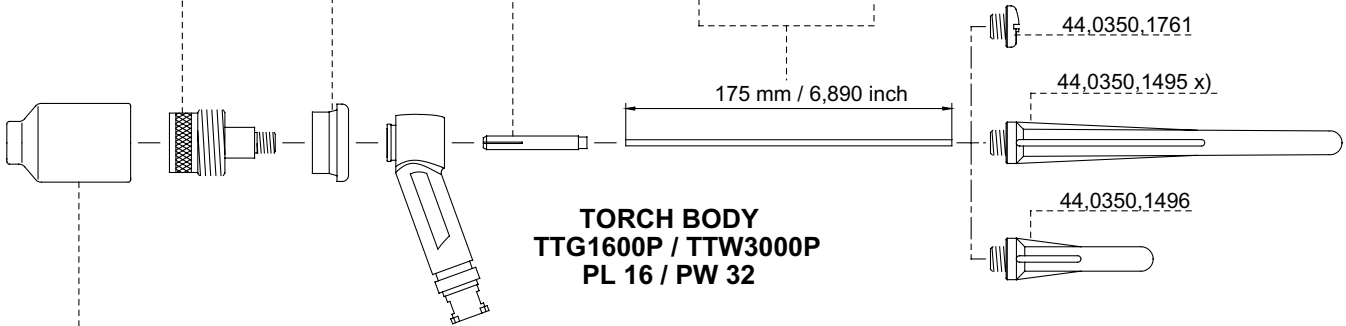
TTG 2200A-TCS, TTG 1600A-WKZ, TTG 1600P-WKZ

Ersatzteilliste / Spare parts list / Listes de pièces de rechange / Lista de repuestos / Lista de peças sobresselentes / Lista dei Ricambi

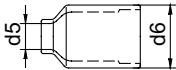
7/11

GAS LENS LARGE

Part No. gas lens	Part No. head shield	Part No. collet	Part No. electrode WC20	Part No. electrode WP	Electrode Ø	
					Ømm	Øinch
42,0001,3010	42,0100,0407	42,0001,2826	42,0411,4012		1,0	.039
42,0001,3011		42,0001,3001	42,0411,4001	42,0411,4008	1,6	.063
42,0001,3012		42,0001,3008	42,0411,4002	42,0411,4005	2,4	.094
42,0001,3013		42,0001,3009	42,0411,4003	42,0411,4006	3,2	.126



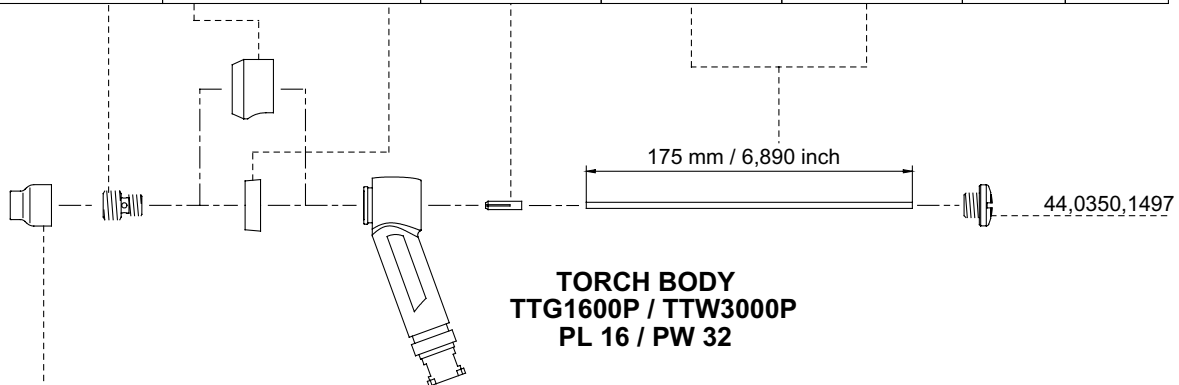
**TORCH BODY
TTG1600P / TTW3000P
PL 16 / PW 32**

gas nozzle ceramic screwable 1"-16G L=47,6mm/1,875inch	d5		d6		Part No.
	mm	inch	mm	inch	
	9,5	.375	30,2	1,1875	42,0300,2247
	12,7	.500	30,2	1,1875	42,0300,2248
	15,9	.625	30,2	1,1875	42,0300,2249
	19,0	.75	30,2	1,1875	42,0300,2250

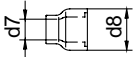
- x) Standardausüstung
- x) standard equipment
- x) équipement standard
- x) equipamiento estándar
- x) accessori standard
- x) equipamento de série

GAS LENS SMALL

Part No. gas lens	Part No. head shield	Part No. collet	Part No. electrode WC20	Part No. electrode WP	Electrode Ø	
					Ømm	Øinch
44,0350,1489	42,0100,0388 long	42,0001,3002	42,0411,4012		1,0	.039
44,0350,1490		42,0001,3003	42,0411,4001	42,0411,4008	1,6	.063
44,0350,1491	42,0100,0387 x)	42,0001,3004	42,0411,4002	42,0411,4005	2,4	.094



**TORCH BODY
TTG1600P / TTW3000P
PL 16 / PW 32**

gas nozzle ceramic screwable 7/16"-20 UNF L=15,9mm/0,625inch	d7		d8		Part No.
	mm	inch	mm	inch	
	6,4	.250	15,9	.625	42,0300,2244
	7,9	.3125	15,9	.625	42,0300,2245
	9,5	.375	15,9	.625	42,0300,2246



TTG 2200A-TCS, TTG 1600A-WKZ, TTG 1600P-WKZ

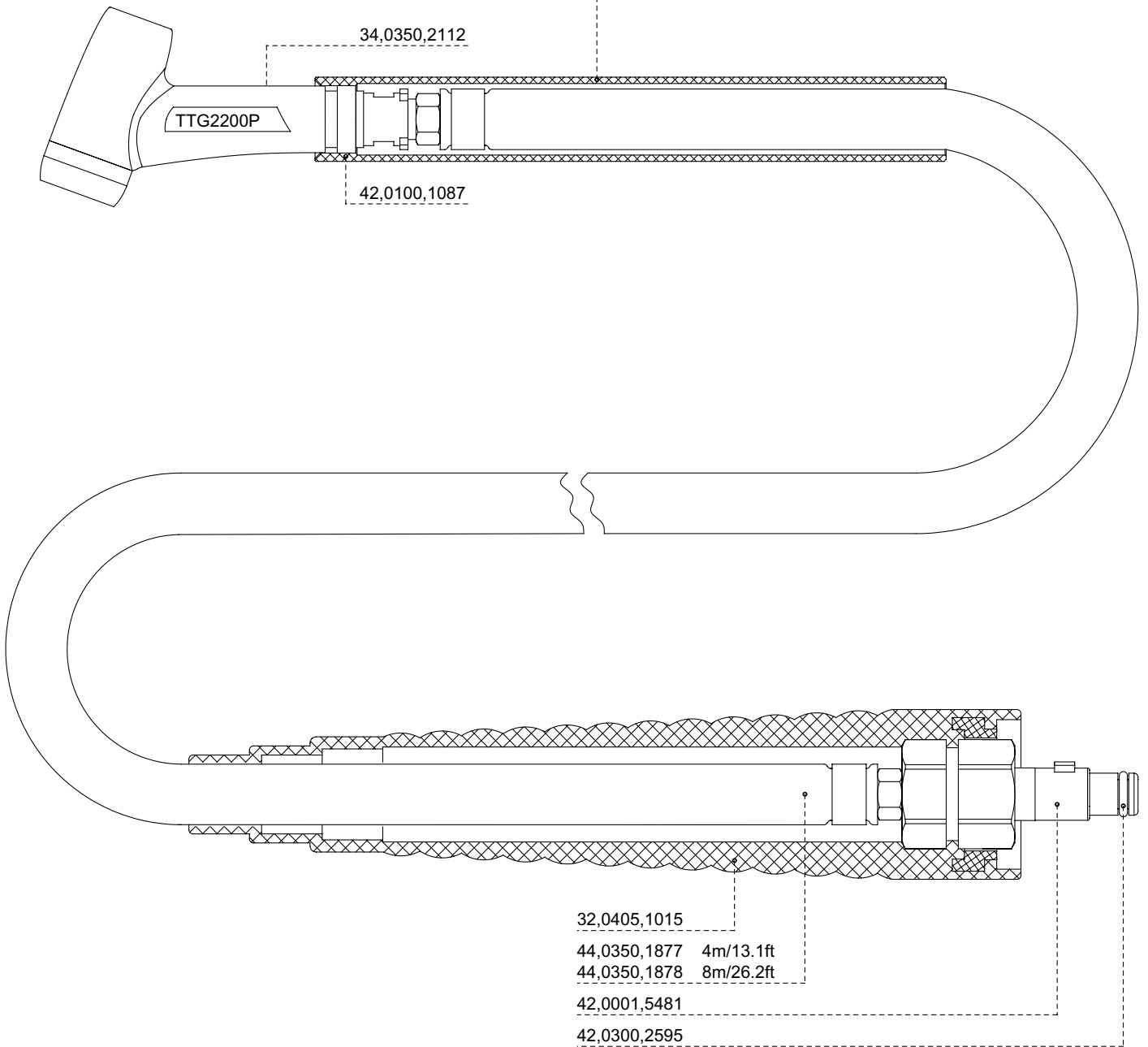
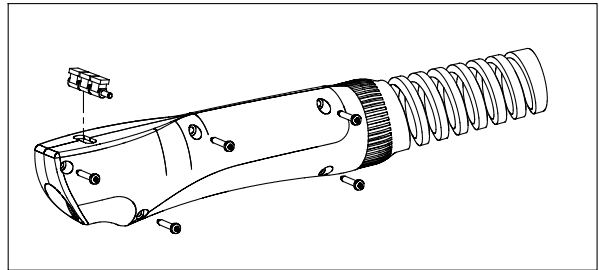
Ersatzteilliste / Spare parts list / Listes de pièces de rechange / Lista de repuestos / Lista de peças sobresselentes / Lista dei Ricambi

8/11

4,035,818,630 TTG2200P-TCS F/4m
 4,035,819,630 TTG2200P-TCS F/8m

	Ø mm	Ø inch
	1,0-4,0	.039-.157

44,035,2514 Option

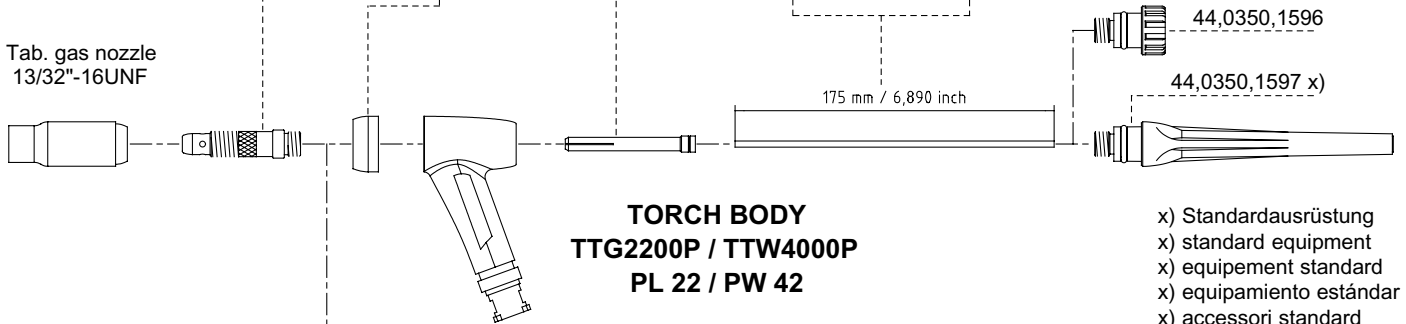


TTG 2200A-TCS, TTG 1600A-WKZ, TTG 1600P-WKZ

Ersatzteilliste / Spare parts list / Listes de pièces de rechange / Lista de repuestos / Lista de peças sobresselentes / Lista dei Ricambi

STANDARD

Part No. collet body	Part No. head shield	Part No. collet	Part No. electrode WC20	Part No. electrode WP	Electrode Ø	
					Ømm	Øinch
42,0001,3032	42,0100,0408 x)	42,0001,0284	42,0411,4012		1,0	.039
42,0001,3033		42,0001,0285	42,0411,4001	42,0411,4008	1,6	.063
42,0001,3034 x)		42,0001,0286 x)	42,0411,4002 x)	42,0411,4005	2,4	.094
42,0001,3035		42,0001,0287	42,0411,4003	42,0411,4006	3,2	.126
42,0001,3036		42,0001,2577	42,0411,4013	42,0411,4007	4,0	.157

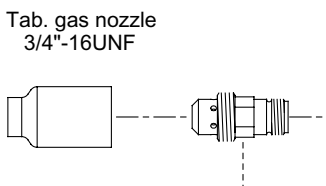


TORCH BODY TTG2200P / TTW4000P PL 22 / PW 42

- x) Standardausrüstung
- x) standard equipment
- x) équipement standard
- x) equipamiento estándar
- x) accessori standard
- x) equipamento de série

Collet Body - STANDARD

gas nozzle ceramic screwable 13/32"- 16UNF	d1		d2		L1		Part No.
	mm	inch	mm	inch	mm	inch	
	6,5	.256	18,0	.709	47	1,850	42,0300,2276
	8,0	.315	18,0	.709	47	1,850	42,0300,2277
	9,5	.374	18,0	.709	47	1,850	42,0300,2278 x)
	11,0	.433	18,0	.709	47	1,850	42,0300,2279
	12,5	.492	18,0	.709	47	1,850	42,0300,2280
	16,0	.630	20,5	.807	47	1,850	42,0300,2281
	19,0	.748	23,5	.925	47	1,850	42,0300,2282
	8,0	.315	17,6	.693	76,5	3,012	42,0300,2283
	9,5	.374	17,6	.693	76,5	3,012	42,0300,2284
	11,0	.433	17,6	.693	76,5	3,012	42,0300,2285



Collet Body - LARGE

Part No. collet body	Electrode Ø	
	Ømm	Øinch
42,0001,2862	2,4	.094
42,0001,2863	3,2	.126
42,0001,2864	4,0	.157

Collet Body - LARGE

gas nozzle ceramic screwable 3/4"- 16UNF	d1		d2		L1		Part No.
	mm	inch	mm	inch	mm	inch	
	6,5	.256	24,0	.945	41	1,614	42,0300,2009
	8,0	.315	24,0	.945	41	1,614	42,0300,2010
	9,5	.374	24,0	.945	41	1,614	42,0300,2011
	11,0	.433	24,0	.945	41	1,614	42,0300,2012
	12,5	.492	24,0	.945	41	1,614	42,0300,2013
	8,0	.315	24,0	.945	76	2,992	42,0300,2273
	9,5	.374	24,0	.945	76	2,992	42,0300,2274
	11,0	.433	24,0	.945	76	2,992	42,0300,2275

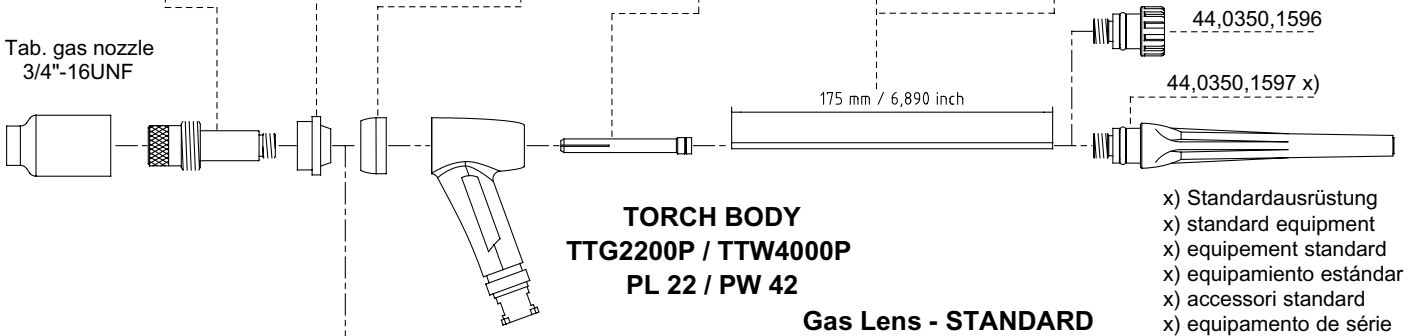


TTG 2200A-TCS, TTG 1600A-WKZ, TTG 1600P-WKZ

Ersatzteilliste / Spare parts list / Listes de pièces de rechange / Lista de repuestos / Lista de peças sobresselentes / Lista dei Ricambi 10/11

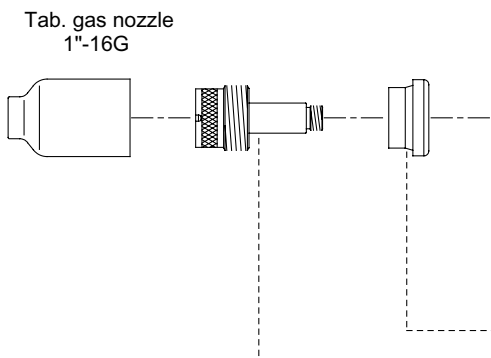
STANDARD

Part No. gas lens	Part No. insulation ring	Part No. head shield	Part No. collet	Part No. electrode WC20	Part No. electrode WP	Electrode Ø	
						Ømm	Øinch
44,0350,1595	42,0100,0401	42,0100,0408 x)	42,0001,0284	42,0411,4012		1,0	.039
44,0350,1362			42,0001,0285	42,0411,4001	42,0411,4008	1,6	.063
44,0350,1363			42,0001,0286 x)	42,0411,4002 x)	42,0411,4005	2,4	.094
44,0350,1364			42,0001,0287	42,0411,4003	42,0411,4006	3,2	.126
44,0350,1365			42,0001,2577	42,0411,4013	42,0411,4007	4,0	.157



gas nozzle ceramic screwable 3/4"- 16UNF	d1		d2		L1		Part No.
	mm	inch	mm	inch	mm	inch	
	6,5	.256	24,0	.945	41	1,614	42,0300,2009
	8,0	.315	24,0	.945	41	1,614	42,0300,2010
	9,5	.374	24,0	.945	41	1,614	42,0300,2011
	11,0	.433	24,0	.945	41	1,614	42,0300,2012
	12,5	.492	24,0	.945	41	1,614	42,0300,2013
	8,0	.315	24,0	.945	76	2,992	42,0300,2273
	9,5	.374	24,0	.945	76	2,992	42,0300,2274
	11,0	.433	24,0	0,945	76	2,992	42,0300,2275

Gas Lens - LARGE



Part No. insulation ring	Part No. collet body	Electrode Ø	
		Ømm	Øinch
42,0100,0402	42,0001,3027	1,0	.039
	42,0001,3028	1,6	.063
	42,0001,3029	2,4	.094
	42,0001,3030	3,2	.126
	42,0001,3031	4,0	.157

Gas Lens - LARGE

gas nozzle ceramic screwable 1"- 16G	d1		d2		L1		Part No.
	mm	inch	mm	inch	mm	inch	
	9,5	.374	30,5	1,201	48	1,890	42,0300,2247
	12,5	.492	30,5	1,201	48	1,890	42,0300,2248
	16,0	.630	30,5	1,201	48	1,890	42,0300,2249
	19,0	.748	30,5	1,201	48	1,890	42,0300,2250



TTG 2200A-TCS, TTG 1600A-WKZ, TTG 1600P-WKZ

Ersatzteilliste / Spare parts list / Listes de pièces de rechange / Lista de repuestos / Lista de peças sobresselentes / Lista dei Ricambi 11/11

Fronius Worldwide - www.fronius.com/addresses

A **FRONIUS International GmbH**
4600 Wels, Buxbaumstraße 2
Tel: +43 (0)7242 241-0
Fax: +43 (0)7242 241-3940
E-Mail: sales@fronius.com
<http://www.fronius.com>

4600 Wels, Buxbaumstraße 2
Tel: +43 (0)7242 241-0
Fax: +43 (0)7242 241-3490
Service: DW 3070, 3400
Ersatzteile: DW 3390
E-Mail: sales.austria@fronius.com

6020 Innsbruck, Amraserstraße 56
Tel: +43 (0)512 343275-0
Fax: +43 (0)512 343275-725

5020 Salzburg, Lieferinger Hauptstr.128
Tel: +43 (0)662 430763
Fax: +43 (0)662 430763-16

1100 Wien, Daumegasse 7,
Team Süd / Ost
Tel: +43 (0)1/600 41 02-7410
Fax: +43 (0)1/600 41 02-7490
Team Nord / West
Tel: +43 (0)1/600 41 02-7050
Fax: +43 (0)1/600 41 02-7160

Haberkorn Ulmer GmbH
6961 Wolfurt, Hohe Brücke
Tel: +43 (0)5574 695-0
Fax: +43 (0)5574 2139
<http://www.haberkorn.com>

Wilhelm Zultner & Co.
8042 Graz, Schmiedstraße 7
Tel: +43 (0)316 6095-0
Fax: +43 (0)316 6095-80
Service: DW 325, Ersatzteile: DW 335
E-Mail: vkm@zultner.at

Wilhelm Zultner & Co.
9020 Klagenfurt, Fallegasse 3
Tel: +43 (0)463 382121-0
Fax: +43 (0)463 382121-40
Service: DW 430, Ersatzteile: DW 431
E-Mail: vkk@zultner.at

BR **FRONIUS do Brasil LTDA**
Av. Senador Vergueiro, 3260
Vila Tereza, Sao Bernado do Campo - SP
CEP 09600-000, SÃO PAULO
Tel: +55 (0)11 4368-3355
Fax: +55 (0)11 4177-3660
E-Mail: sales.brazil@fronius.com

CH **FRONIUS Schweiz AG**
1513 Rümlang, Oberglatterstraße 11
Tel: +41 (0)1817 9944
Fax: +41 (0)1817 9955
E-Mail: sales.switzerland@fronius.com

CZ **FRONIUS Ěeská republika s.r.o.**
381 01 ĚESKÝ KRUMLOV, Tovární 170
Tel: +420 380 705 111
Fax: +420 380 711 284
E-Mail: sales.c.krumlov@fronius.com

100 00 PRAHA 10, V Olšínách 1022/42
Tel.: +420 272 111 011, 272 742 369
Fax: +420 272 738 145
E-Mail: sales.praha@fronius.com

315 00 PLZEŇ-Bořkov, Letkovská 38
Tel: +420 377 183 411
Fax: +420 377 183 419
E-Mail: sales.plzen@fronius.com

500 04 HRADEC KRÁLOVÉ,
Pražská 293/12
Tel.: +420 495 070 011
Fax: +420 495 070 019
E-Mail: sales.h.kralove@fronius.com

CZ 586 01 JIHLAVA, Brninská 65
Tel: +420 567 584 911
Fax: +420 567 305 978
E-Mail: sales.jihlava@fronius.com

709 00 OSTRAVA - Mariánské Hory,
Kollárova 3
Tel: +420 595 693 811
Fax: +420 596 617 223
E-Mail: sales.ostrava@fronius.com

760 01 ZLÍN
ul. Malá (za ěerp. st. ARAL)
Tel: +420 577 311 011
Fax: +420 577 311 019
E-Mail: sales.zlin@fronius.com

D **FRONIUS Deutschland GmbH**
67661 Kaiserslautern, Liebigstraße 15
Tel: +49 (0)631 35127-0
Fax: +49 (0)631 35127-50
E-Mail: sales.germany@fronius.com

90530 Wendelstein,
Wilhelm-Maisel-Straße 32
Tel: +49 (0)9129 2855-0
Fax: +49 (0)9129 2855-32

51149 Köln, Gremberghoven,
Welslerstraße 10 b
Tel: +49 (0)2203 97701-0
Fax: +49 (0)2203 97701-10

57052 Siegen, Alcher Straße 51
Tel: +49 (0)271 37515-0
Fax: +49 (0)271 37515-15

38640 Goslar, Im Schleeke 108
Tel: +49 (0)5321 3413-0
Fax: +49 (0)5321 3413-31

10365 Berlin, Josef-Orlopp-Str. 92-106
Tel: +49 (0)30 557745-0
Fax: +49 (0)30 557745-51

21493 Talkau, Dorfstraße 4
Tel: +49 (0)4156 8120-0
Fax: +49 (0)4156 8120-20

70771 Leinfelden-Echterdingen
(Stuttgart),
Kolumbus-Straße 47
Tel: +49 (0)711 782852-0
Fax: +49 (0)711 782852-10

04328 Leipzig, Riesaer Straße 72-74
Tel: +49 (0)341 27117-0
Fax: +49 (0)341 27117-10

01723 Kesselsdorf (Dresden),
Zum alten Dessauer 13
Tel: +49 (0)35204 7899-0
Fax: +49 (0)35204 7899-10

67753 Hefersweiler, Sonnenstraße 2
Tel: +49 (0)6363 993070
Fax: +49 (0)6363 993072

18059 Rostock, Erich Schlesinger Str. 50
Tel: +49 (0)381 4445802
Fax: +49 (0)381 4445803

81379 München, Gmunder Straße 37a
Tel: +49 (0)89 748476-0
Fax: +49 (0)89 748476-10

83308 Trostberg, Pechleraustraße 7
Tel: +49 (0)8621 8065-0
Fax: +49 (0)8621 8065-10

94491 Hengersberg, Donaustraße 31
Tel: +49 (0)9901 2008-0
Fax: +49 (0)9901 2008-10

F **FRONIUS France SARL**
60306 SENLIS CEDEX,
13 avenue Félix Louat - B.P.195
Tél: +33 (0)3 44 63 80 00
Fax: +33 (0)3 44 63 80 01
E-Mail: sales.france@fronius.com

N **FRONIUS Norge AS**
3056 Solbergelva, P.O. BOX 32
Tel: +47 (0)32 232080,
Fax: +47 (0)32 232081
E-Mail: sales.norway@fronius.com

SK **FRONIUS Slovensko s.r.o.**
917 01 Trnava, Nitrianská 5
Tel: +421 (0)33 590 7511
Fax: +421 (0)33 590 7599
E-Mail: sales.slovakia@fronius.com

974 03 Banská Bystrica,
Zvolenská cesta 14
Tel: +421 (0)48 472 0611
Fax: +421 (0)48 472 0699
E-Mail: sales.b.bystrica@fronius.com

UA **FRONIUS Ukraine GmbH**
07455 Ukraine, Kiwskaya OBL.,
S. Knjashitschi, Browarskogo R-NA
Tel: +38 044 94-62768
+38 044 94-54170
Fax: +38 044 94-62767
E-Mail: sales.ukraine@fronius.com

USA **FRONIUS USA LLC**
10503 Citation Drive,
Brighton, Michigan 48116
Tel: +1(0) 810 220-4414
Fax: +1(0) 810 220-4424
E-Mail: sales.usa@fronius.com

Under <http://www.fronius.com/addresses> you will find all addresses of our sales branches and partner firms!